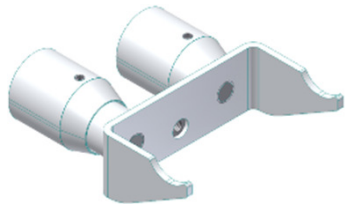
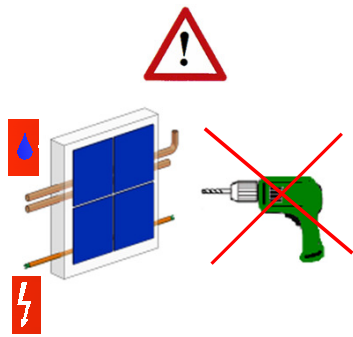
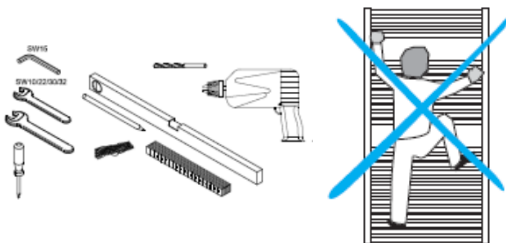
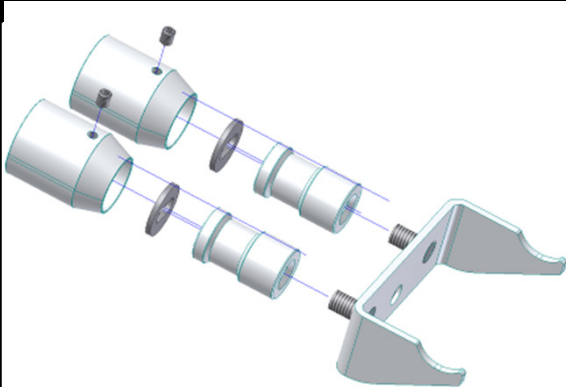


Yucca plus wall mounting console

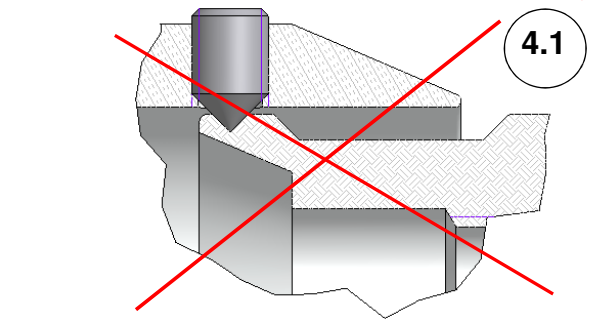
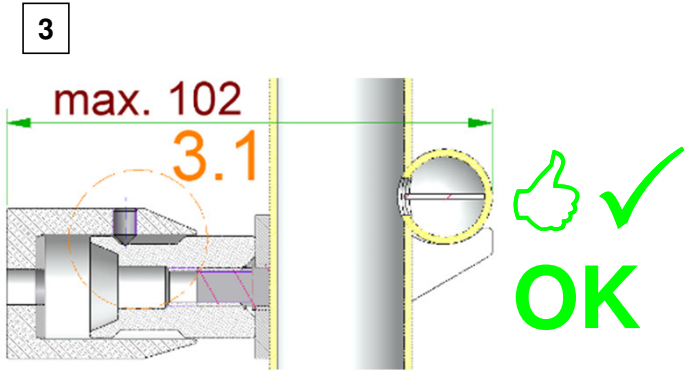
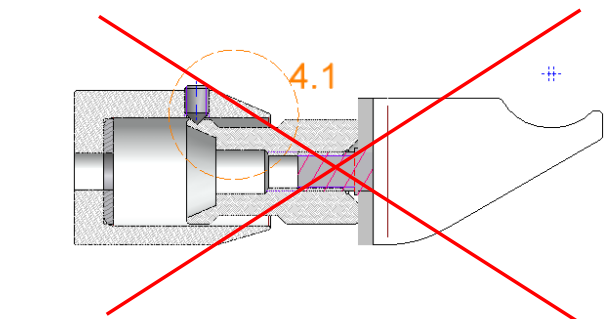
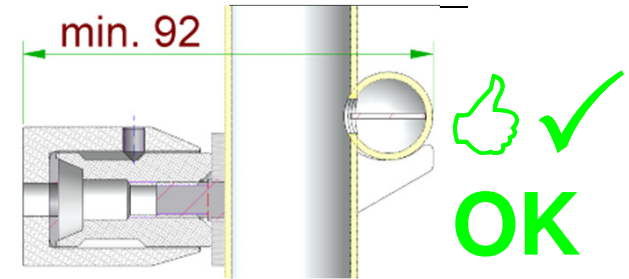
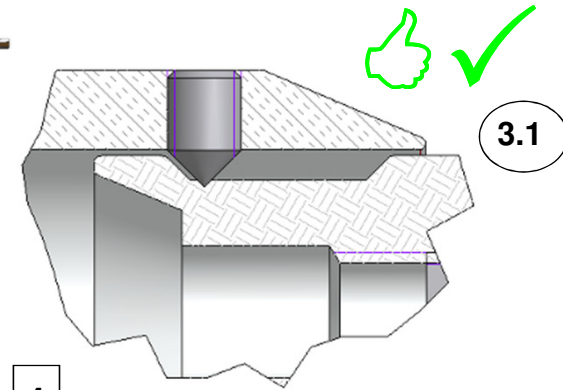
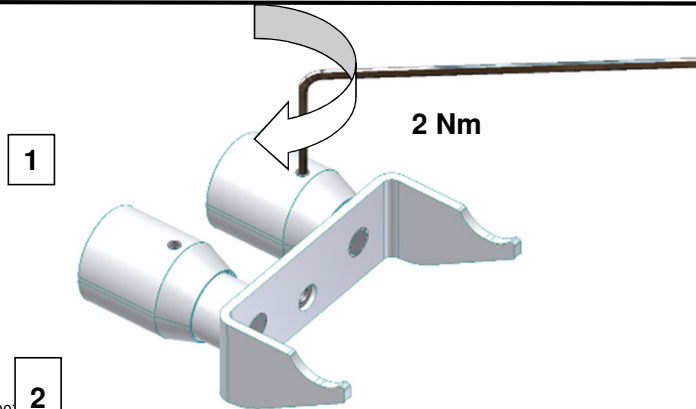
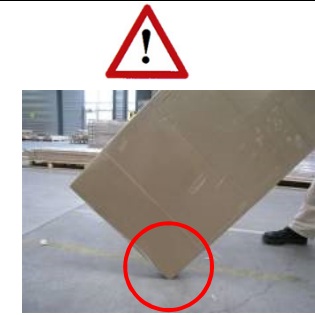
- DE Montageanleitung
- GB Assembly Instructions
- FR Instructions de montage
- IT Istruzione di montaggio
- ES Instrucciones de montaje
- R Монтажная инструкция

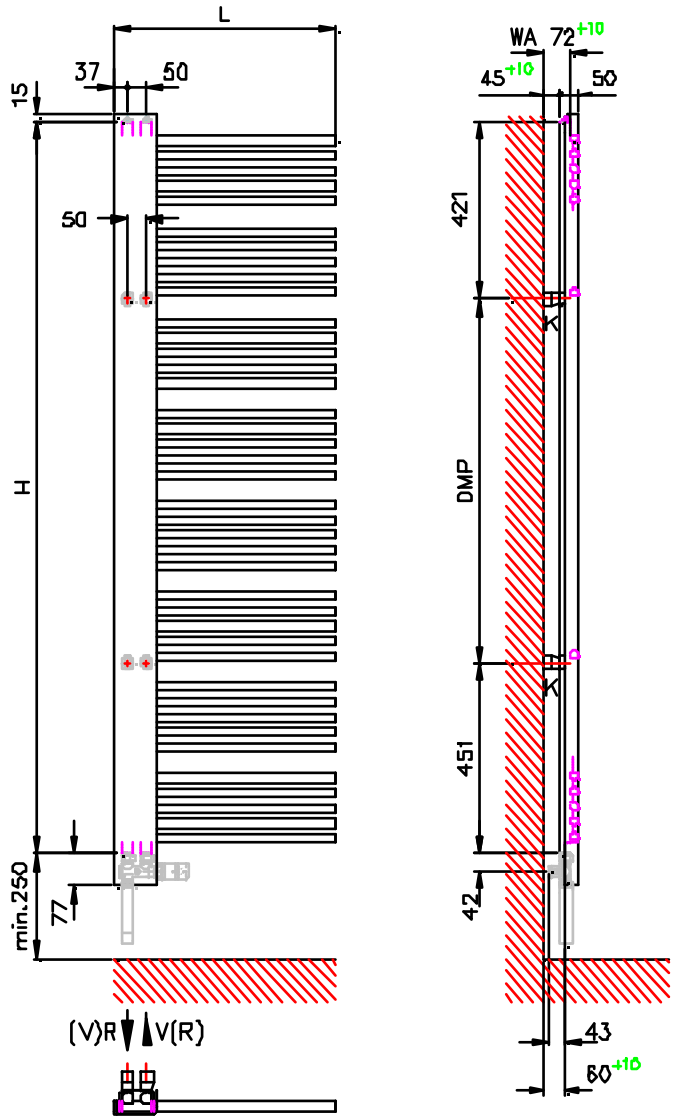


Original mounting instruction 10/2011 PLA
 Original mounting instruction Rev. 1 Artik.Nr. D200
 Technical modifications are subject to change



Oberfläche schützen!
 Protect surface!
 Protégez la surface!
 Proteggi superficie!
 Берегите поверхность





H	D _{MP}	L
1520	648	582
1736	864	